

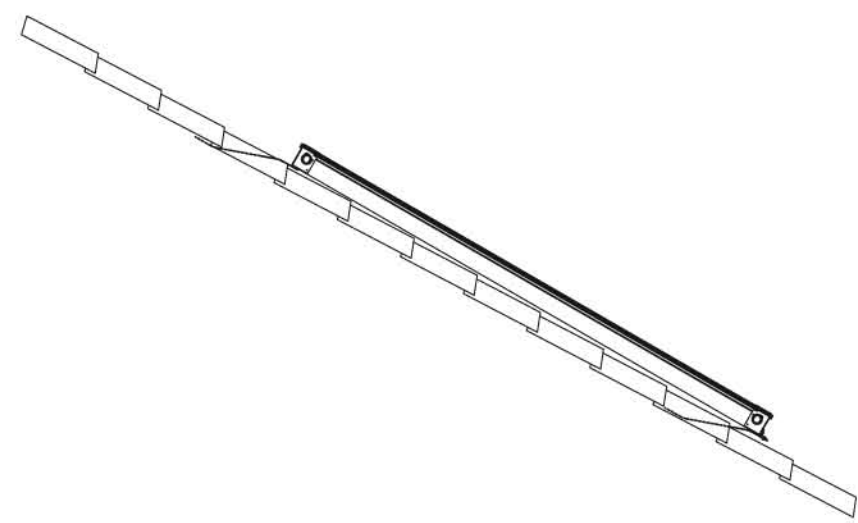
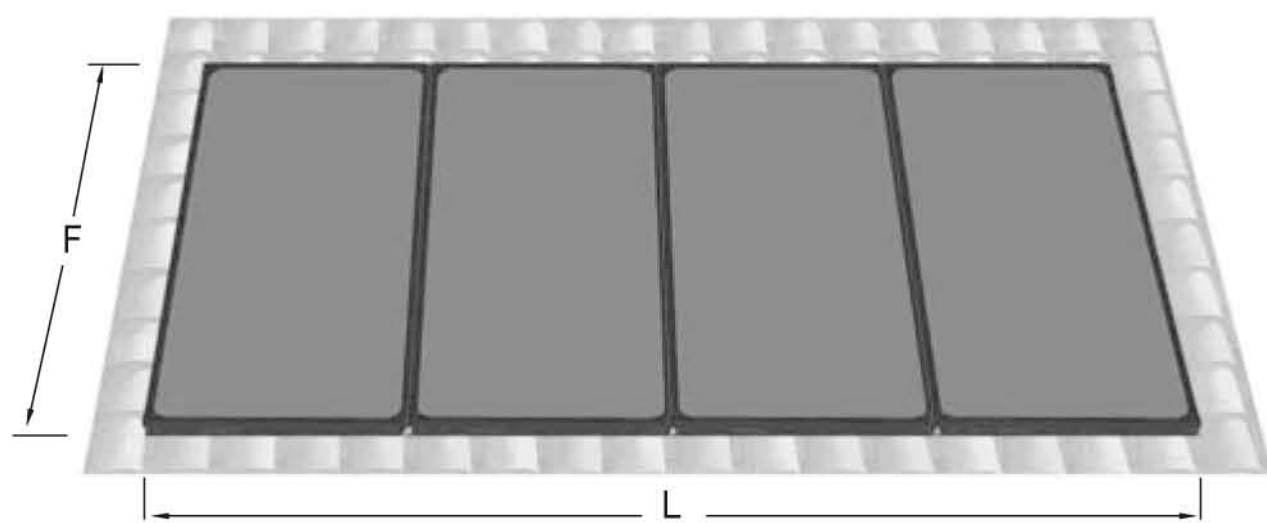
Technical data SR 600



Q.ty	Components	Code	Base	Complete	Full optional
4	Solar Panel Panda 2.6 Cu Blue	PANMD3VBN	✓	✓	✓
2	Support structure for pitched roof	STCFMD32F	✓	✓	✓
1	Tank in tank, enameled combi solar boiler, 600/150 liters with double coil	BVV0600C2	✓	✓	✓
1	Solar circuit expansion vessel - 25 liters	IDRVE025L	✓	✓	✓
1	Preassembled solar station	GPMCRF0ST	✓	✓	✓
1	Digital control unit, with sensors	ELETCNTD3	✓	✓	✓
10	Monopropylene glycol - liters	IDRLQGLCL	✓	✓	✓
1	Mixing valve	IDRVMX020	✓	✓	✓
Complete kit					
3	Ball cut-off valve	IDRVINTSF		✓	✓
1	Preassembled probe-vent group	GPMGES000		✓	✓
1	Jolly 180°C valve	IDRVJ0180		✓	✓
15	Copper twinned insulated DN 18 piping, with probe cable, meters	IDRTG1815		✓	✓
Full optional kit					
1	Boiler – burner by-pass 3 way valve	IDRV2VE20			✓
2	Stop valve	IDRVRT020			✓
2	Inlet safety valve, set point 6 bar	IDRVSIC60			✓
2	Ball cut-off valve	IDRVINTSF			✓
2	Solar circuit expansion vessel - 25 liters	IDRVE025P			✓
5	Multilayered insulated DN20 piping, meters	IDRTM2005			✓
1	Automatic filling group	GPMRAS000			✓
1	Clock system for inverted cycle	ELETORLCI			✓

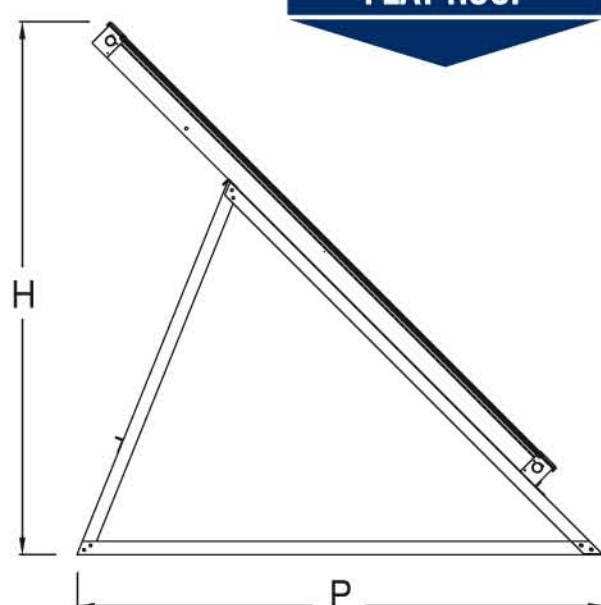
PITCHED ROOF

Mod.	Roof	Panel	Optional	Code
SR600	PITCHED	SLIM	BASE	SR0600FSB
			COMPLETE	SR0600FSC
			FULL OPT	SR0600FSO
		BLUE	BASE	SR0600FBB
			COMPLETE	SR0600FBC
			FULL OPT	SR0600FBO



FLAT ROOF

Mod.	Roof	Panel	Optional	Code
SR600	30° 45°	BLUE	BASE	SR0600EBB
			COMPLETE	SR0600EBC
			FULL OPT	SR0600EBO
			BASE	SR0600IBB
			COMPLETE	SR0600IBC
			FULL OPT	SR0600IBO



Overall dimensions: **flat roof** LxPxH = 4800x2000x1850 mm empty weight 340 kg
pitched roof LxF = 4800x2500 mm empty weight 280 kg